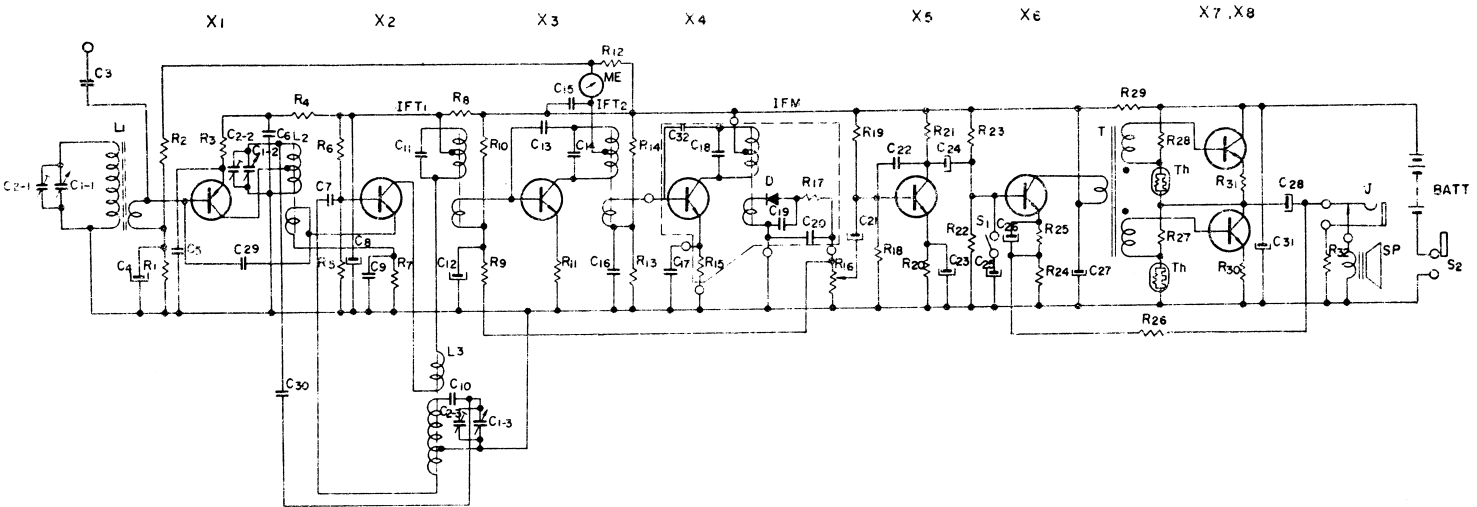


# Schematic Diagram for TR-817



Part No.	Symbol	Description	Part No.	Symbol	Description
1-401-135-00	L <sub>1</sub>	Ferrite Bar Antenna	1-203-635-00	R <sub>19</sub>	39 KΩ RD 1/2 RL ±5%
1-405-054-00	L <sub>2</sub>	Oscillator Coil	1-203-422-00	R <sub>20</sub>	1.5 KΩ
1-425-330-00	RT	RF Transformer	1-203-421-00	R <sub>21</sub>	1 KΩ
1-403-057-00	IFT <sub>1</sub>	IF Transformer	1-203-427-00	R <sub>22</sub>	10 KΩ
(1-403-025-00)			1-203-593-00	R <sub>23</sub>	36 KΩ
1-403-058-00	IFT <sub>2</sub>	IF "	1-203-418-00	R <sub>24</sub>	10 Ω
(1-403-026-00)			1-203-421-00	R <sub>25</sub>	1 KΩ
1-403-901-00	IFM	3rd IF & Det. Block	1-203-421-00	R <sub>26</sub>	1 KΩ
1-423-044-00	T <sub>1</sub>	Driver Transformer	1-203-434-00	R <sub>27</sub>	3.3 KΩ
1-507-050-01	J	Earphone Jack	1-203-434-00	R <sub>28</sub>	3.3 KΩ
1-513-075-00	S <sub>1</sub>	Tone Control Switch	1-203-419-00	R <sub>29</sub>	220 Ω
1-513-125-00	S <sub>2</sub>	ON/Off Switch	1-203-441-00	R <sub>30</sub>	3 Ω
1-502-072-00	SP	Speaker	1-203-441-00	R <sub>31</sub>	3 Ω
1-520-002-00	ME	Tuning Meter	1-203-590-00	R <sub>32</sub>	42 Ω
	X <sub>1</sub>	Transistor 2SA60	1-151-059-00	C <sub>1-1-8</sub>	Tuning Capacitor, 3 gang
	X <sub>2</sub>	25C73		C <sub>2-1-8</sub>	Trimmer Capacitor
	X <sub>3</sub>	25C76			
	X <sub>4</sub>	25C76	1-101-026-00	C <sub>1</sub>	150 pF ±0.5 pF Ceramic
	X <sub>5</sub>	(built-in the 3rd IF & Det. Block)	1-121-108-00	C <sub>4</sub>	10 μF 10 V Electrolytic
	X <sub>6</sub>	Transistor 2SD65	1-101-004-00	C <sub>5</sub>	0.01 μF ±10% Ceramic
	X <sub>7</sub>	"	1-101-004-00	C <sub>6</sub>	0.01 μF "
	X <sub>8</sub>	"	1-101-004-00	C <sub>7</sub>	0.01 μF "
	D	Diode 1N60M	1-121-110-00	C <sub>9</sub>	30 μF 10 V Electrolytic
	Th	(built-in the 3rd IF & Det. Block)	1-101-004-00	C <sub>9</sub>	0.01 μF ±10% Ceramic
1-201-601-00		Thermistor CS-12C	1-103-024-00	C <sub>10</sub>	130 pF ±5% Polystyrol
		Carbon Resistor		C <sub>11</sub>	Built in IFT <sub>1</sub>
1-203-679-00	R <sub>1</sub>	220 KΩ RD 1/2 RL ±5%	1-121-112-00	C <sub>12</sub>	10 μF 3 V Electrolytic
1-203-419-00	R <sub>2</sub>	220 Ω	1-101-045-00	C <sub>13</sub>	1 pF ±0.5 pF Ceramic
1-203-423-00	R <sub>3</sub>	2.2 KΩ		C <sub>14</sub>	Built in IFT <sub>2</sub>
1-203-419-00	R <sub>4</sub>	220 Ω	1-101-004-00	C <sub>15</sub>	0.01 μF ±10% Ceramic
1-203-617-00	R <sub>5</sub>	100 KΩ		C <sub>16</sub>	0.01 μF ±10% Ceramic
1-203-414-00	R <sub>6</sub>	150 KΩ	1-105-099-00	C <sub>17</sub>	0.1 μF ±30% Mylar
1-203-629-00	R <sub>7</sub>	15 KΩ		C <sub>18</sub>	Built-in the 3rd IF & Det. Block
1-203-419-00	R <sub>8</sub>	220 Ω		C <sub>19</sub>	"
1-203-424-00	R <sub>9</sub>	4.7 KΩ	1-121-108-00	C <sub>20</sub>	"
1-203-431-00*	R <sub>10</sub>	120 KΩ	1-101-001-00	C <sub>21</sub>	10 μF 10 V Electrolytic
1-203-420-00	R <sub>11</sub>	470 Ω	1-121-112-00	C <sub>22</sub>	0.001 μF ±10% Ceramic
1-203-423-00*	R <sub>12</sub>	2.2 KΩ	1-121-112-00	C <sub>23</sub>	10 μF 3 V Electrolytic
1-203-434-00	R <sub>13</sub>	3.3 KΩ	1-127-901-00	C <sub>24</sub>	0.3 μF 6 V (Alox Type)
1-203-593-00	R <sub>14</sub>	36 KΩ	1-119-100-07	C <sub>25</sub>	0.3 μF 15 V "
1-203-420-03	R <sub>15</sub>	470 Ω	1-121-112-00	C <sub>26</sub>	10 μF 3 V "
1-221-096-00	R <sub>16</sub>	(built-in the 3rd IF & Det. Block)	1-121-110-00	C <sub>27</sub>	30 μF 10 V "
	R <sub>17</sub>	5 KΩ Volume Control	1-121-110-00	C <sub>28</sub>	30 μF 10 V "
	R <sub>18</sub>	8.2 KΩ RD 1/2 RL ±5%	1-101-055-00	C <sub>29</sub>	5 pF ±0.5 pF Ceramic
			1-101-010-00	C <sub>30</sub>	2 pF ±0.5 pF "
			1-121-110-00	C <sub>31</sub>	30 μF 10 V Electrolytic

SONY

Electronic Parts List for TR-817

S37

Mounting Diagram

— Printed Side —

